

Voltage monitor KUW NU 142



Voltage monitor KUW NU 142

1. General

The KUW NU mains monitor monitors the mains voltage for the 3 phases, L1, L2, L3 and the neutral conductor. In the event of a fault, the relay falls back after < 1 s and the LED fault lamp lights up.

2. Working principle

A voltage reduction of more than 20% for one of the 3 mains phases or a neutral conductor dropout results in a fault message after a time delay of < 1 s. The relay falls back and the fault LED lights up.

The relay re-energises if the voltage rises above the switch level. The LED fault can only be reset with the reset button.

3. Note

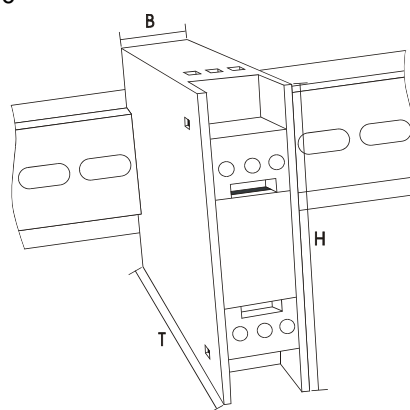
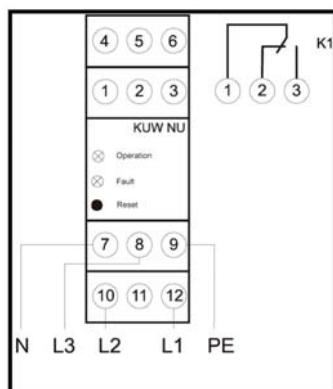
The input terminals L1, L2 and L3 must be connected in parallel if only one phase is to be monitored.

4. Technical information



Installation and commissioning only by trained technicians.
Connection in accordance with VDE 0160.

Operating voltage	180 ... 240 V
Power consumption	approx. 1 VA
Time delay	< 1 second
Switch voltage	180 V
Relay outputs	230 V / 5A / AC
Ambient temperature	-20 ... +55 °C
Housing dimensions	W / H / D : 23 x 75 x 100 mm



5. Ordering information

Type

KUW NU 142 mains monitor

Part number:

2W142UU000