

Undervoltage monitor KUW 112 / KUW124



1. General

The KUW 112 / KUW 124 voltage monitors monitor a direct current network for under-voltage. A potentiometer is used to adjust the switching threshold. The device is operational as soon as the auxiliary voltage is present (the green LED, 'Operation', is lit). The relay is energised when operational.

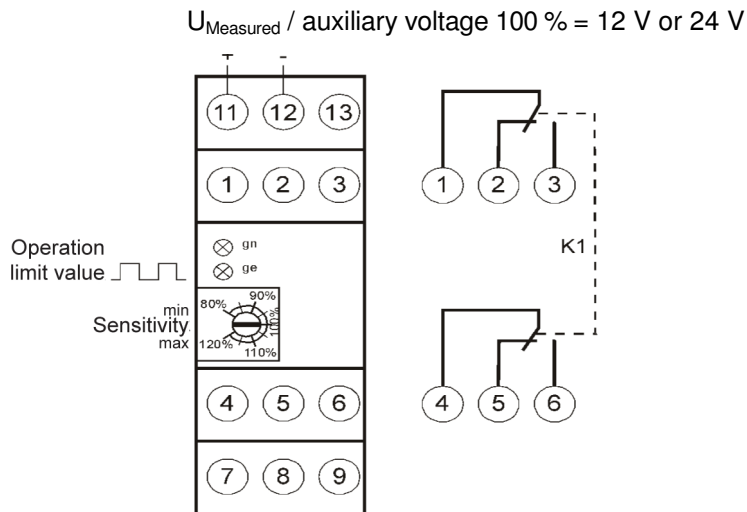
The yellow LED, 'Limit value', begins to flash when the limit value is undercut, i.e. when the voltage has fallen below the preset value. Once the time delay has run its course, the relay falls back and the yellow limit value LED remains constantly lit.

The device's switching hysteresis is 10 %, i.e. the preset voltage must be exceeded by 10 % to switch the device back into operation.

Example:

	KUW 112	KUW 124	
Set voltage	12 V	24 V	
Undervoltage detection	$U \leq 12 \text{ V}$	$U \leq 24 \text{ V}$	The relay falls back after 60 seconds
Normal voltage detection	$U \geq 13.2 \text{ V}$	$U \geq 26.4 \text{ V}$	The relay re-energises

2. Connection diagram



Operating manual

3. Setting values

Potentiometer scale [%]	K UW 112		K UW 124	
	Trigger - Voltage [V]	Reset - Voltage [V]	Trigger - Voltage [V]	Reset - Voltage [V]
80	9,6	10,6	19,2	21,1
85	10,2	11,2	20,4	22,4
90	10,8	11,9	21,6	23,8
95	11,4	12,5	22,8	25,1
100	12	13,2	24	26,4
105	12,6	13,9	25,2	27,7
110	13,2	14,5	26,4	29
115	13,8	15,2	27,6	30,4
120	14,4	15,8	28,8	31,7



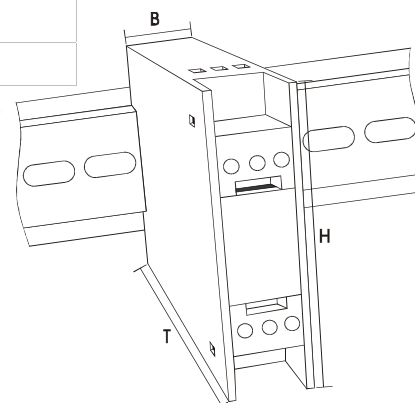
Note: The front cover of the K UW 112 / K UW 124 must be removed to set the device.

4. Technical information



Installation and commissioning only by trained technicians.
Connection in accordance with VDE 0160.

	K UW 112	K UW 124
Auxiliary voltage	12V DC (9 ... 18 V)	24 V DC (18 ... 32 V)
Power consumption (relays energised)	approx. 60 mA	approx. 30 mA
Relay outputs	230 V / 5 A / AC	
Trigger voltage (adjustable)	9.6 V ... 14.4 V	19.2 V ... 28.8 V
Time delay	60 s	
Ambient temperature	-20 ... 55 °C	
Housing dimensions W / H / D	23 x 75 x 110 mm	



5. Ordering information

Type	Part number
K UW 112 :	2W112UB000
K UW 124 :	2W124UB000

6. Replacement information

The K UW 112 / K UW 124 voltage monitors replace the K UW 32 voltage monitor. Replacement with the K UW 112 / K UW 124 is possible without problems. The dimensions of the K UW 112 / K UW 124 are identical and their functions are compatible.

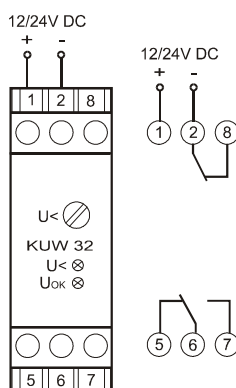


Important: Please note when exchanging the K UW 32 with the K UW 112 / K UW 124 that the terminal assignments are not the same.

The differences can be seen in the two illustrations below.

	K UW 32		K UW 112 / K UW 124	
	Function	Terminal	Function	Terminal
Supply/measured voltage	(+) (-)	1 2	(+) (-)	11 12
Output 1, potential-free	NO COM NC	5 6 7	NO COM NC	6 4 5
Output 2 Only for K UW 112 / 124 potential-free	NO contacted to (-)	8	NO COM NC	3 1 2
Article number	K UW 32 12V K UW 32 24V	2151300100 2151300101	K UW 112 K UW 124	2W112UB000 2W124UB000

K UW 32



K UW 124

